

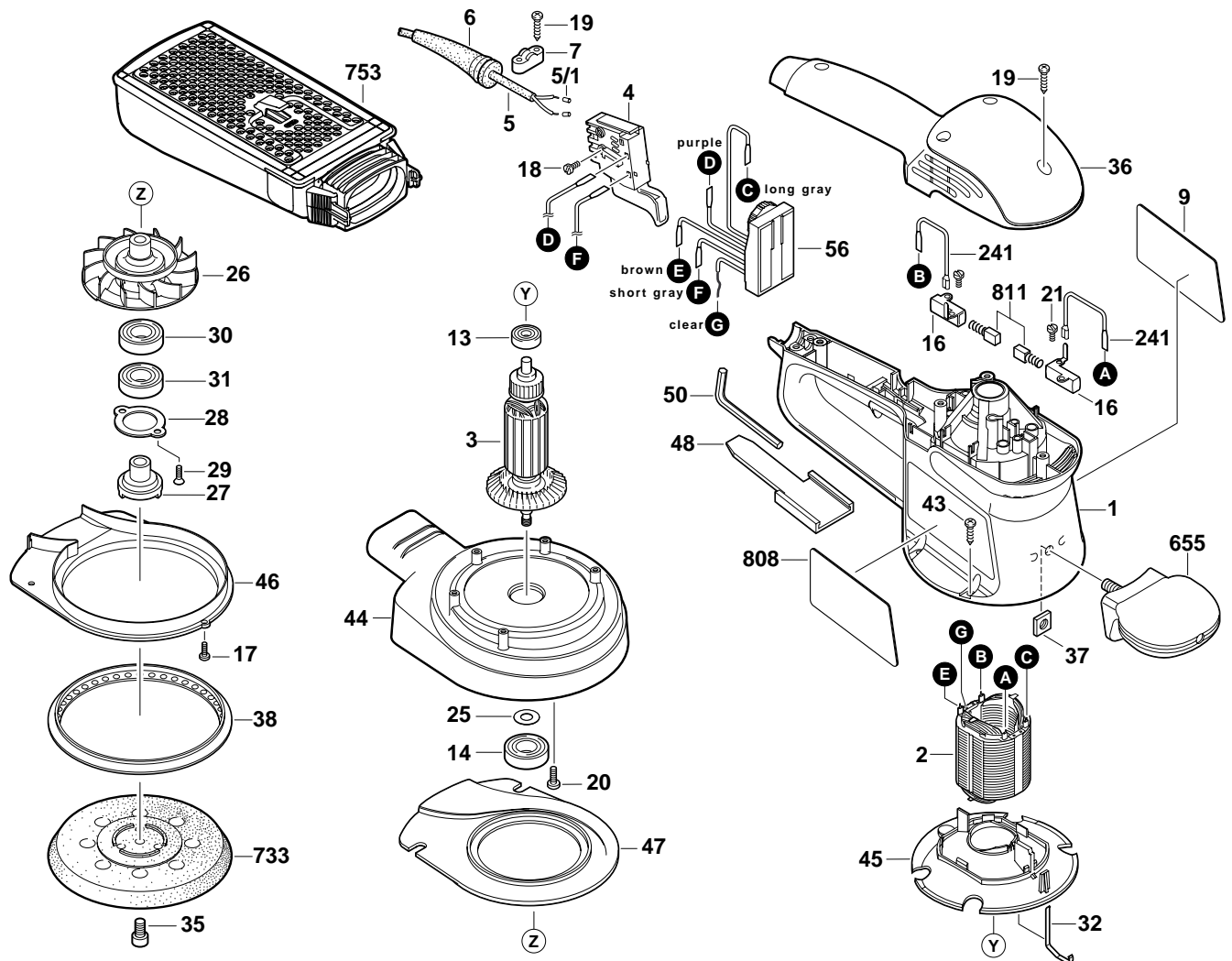
BOSCH

January 2003
INDUSTRIAL

5" RANDOM ORBIT SANDER

Model 0601372439

3725DEVS



Pos.	Part Number	Description {Qty.}	F/C	Pos.	Part Number	Description {Qty.}	F/C
1	2 605 104 410	Motor Housing	71	31	2 600 905 048	Ball Bearing	51
2	2 604 220 663	Field 120V	22	32	2 601 329 053	Spring Clip	27
3	2 604 011 240	Armature w/Fan 120V	AW	35	2 603 414 050	Screw	85
4	2 607 200 260	Switch On/Off	15	36	2 605 500 124	Motor Housing Cover	70
5	3 604 460 555	Cord	11	37	2 915 011 007	Nut	89
5/1	1 900 452 012	Terminal Sleeve {2}	11	38	2 600 206 010	Dampening Ring	79
6	2 600 703 018	Strain Relief	11	43	2 603 435 042	Screw {4}	89
7	2 601 035 001	Cord Clamp	89	44	2 600 282 015	Dust Fan Housing	73
9	2 601 117 729	Label	9	45	2 601 328 047	Baffle	24
13	2 600 905 051	Ball Bearing	60	46	2 601 328 048	Lower Dust Shroud	38
14	2 600 905 034	Ball Bearing	61	47	2 601 328 049	Upper Dust Shroud	38
16	2 604 337 016	Brush Holder {2}	25	48	2 601 035 002	Bag Support Bar	9
17	2 603 435 041	Screw {3}	89	50	1 907 950 006	Allen Wrench 5mm	9
18	2 603 410 001	Screw {2}	89	56	2 607 233 018	Speed Control	17
19	2 914 201 705	Screw {6}	89	241	2 604 448 100	Cable 68mm {2}	10
20	2 603 435 043	Screw {2}	89	655	2 602 026 069	Handle	74
21	2 914 201 664	Screw {4}	89	733	2 610 917 407	Backing Pad - extra soft	88
25	2 600 100 041	Washer	65	733	2 610 917 408	Backing Pad - soft	88
26	2 606 610 069	Dust Fan	23	733	2 610 917 409	Backing Pad - hard	88
27	2 600 328 025	Drive Coupling	40	753	2 610 917 259	Dust Cannister	9
28	2 600 190 060	Retaining Plate	65	808	2 601 117 728	Nameplate	9
29	3 603 391 003	Screw {2}	89	811	1 607 014 117	Brush Set	26
30	2 600 905 047	Ball Bearing	56				

+ = Not Illustrated * = As Required F/C = Failure Code AW = Refer to AW Labor Time Chart